

## ISP-36 Alarm Annunciator

### Inspection & Site testing Procedure for Commissioning

Dear Customer,

ISP Alarm Annunciator has been manufactured by TELEPRO ENERGY in Turkey. All functional tests of device that you purchased are verified by our technical department. ISP Alarm Annunciator has 2 years warranty against manufacturing faults. Before performing any electrical connection, PLEASE Check the ISP Typical wiring at the back page.

Have a good work.

Your respectfully,

#### Contens of product package

- 1 Pc. ISP Alarm Annunciator
- 1 Pc. Front panel frame
- 3 Pcs. Connection terminal-10 input
- 2 Pcs. Connection terminal-12 input
- 1 Pc. Connection terminal-3 input
- 4 Pcs. Board connection equipment to be used for two side fixation.

#### Configuration:

I- UnPlug "A" terminal, "B" terminal, "C" terminal and "D" terminal

II- Plug in "K" terminal (Supply and relay output)

III- After Plugged "K" terminal, ISP runs startup self test procedure

IV- Self test steps are as follows;

- a- In the first step;  
All leds are solid and Internal buzzer turns on,  
"Safe/Fail" led blinks green in 4Hz

- b- In the second step;  
Input channel leds and buzzer turn off

V- In order to enter config mode ; Press "Test Button" and "Horn buton" together for 3 sec.

VI- After 3 sec.

- a- First input channel led blinks in 4Hz
- b- Other input channels leds are off
- c- "Horn/Silent" led turns off and "Safe/Fail" led blinks green in 4Hz

VII- Press "Horn Button" to setup alarm output type (Horn or Bell ) for input channel 1 while this led blinks red in this step. When pressing "Horn Button", colour of channel 1 led changes to blinking green. (Blinking Red means Horn Output / Blinking green means Bell Output)

VIII- Press "Test Button" to skip to the next input channel. When pressing "test buton", next channel led blinks red.

IX- Press "Ack Button" to save input channel settings or Press "Reset Button" to cancel configuration settings. When pressing "Ack Button", ISP will save your configuration and restart itself.

! If any button is not pressed for 60 sec in config mode, then ISP returns to the latest working Process Mode

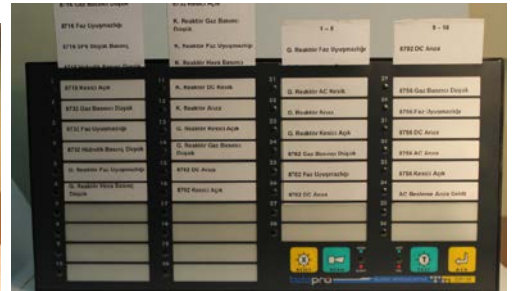
**Picture1-Gently hold and unlock front panel frame at one side as shown**



**Picture2-Remove front panel frame from the unit**



**Picture3-Insert tag label into slots as seen below**



# MAINTENANCE AND INSPECTION

## a) Inspection in the field

**ISP800 package contents** :Check If there is any missing content in the product package

**ISP800 appearance** :Check If there is any sign of shock/ damage on the front or any part of the unit when receiving product and after taking it from the box.

Check terminal connection of the unit If there is dirt and dust, and clean If necessary,after installing the product in the panel

**Terminal block** :Tighten the terminal blocks and their screws if loose after installing the product in the panel.

**Indicator** :Confirm LEDs on the front face properly light and H/B relays output as follows;

First energise the unit and check If fail/safe LED and horn/silent LED are ON.

Push test button to check that all channel LEDs and H/B relay outputs are ON

Push Horn button to check If corresponding LED turns to red and H/B relays become passive

## b) Maintenance

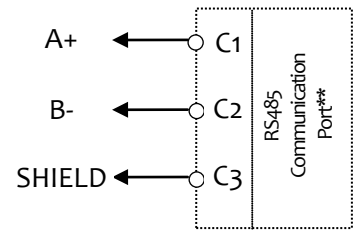
The causes and countermeasures for errors are shown in Table-1.

Table-1 Troubleshooting

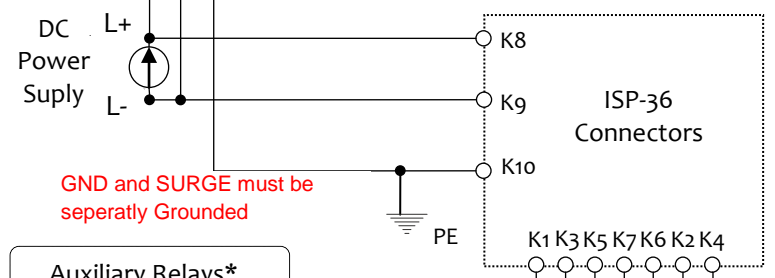
| Phenomenon  | Causes and countermeasures  |
|---|---|
| Safe/Fail LED and Horn/Silent LED are OFF                                 | 1. Hardware failure. Send the unit to telepro<br>2.Power is OFF<br>3.MCB is OFF.  |
| Corresponding LED is not lit eventhough it's channel is connected to +Vdc | 1.Check "com" (-Vdc) connection<br>2.Check If its input terminal block screw is tightened or loose  |
| All channels are ON without giving inputs signals                         | HW failure.<br>Send the unit to Telepro   |
| More than one channels are ON while one input is given.                   | HW failure.<br>Send the unit to Telepro   |
| Horn or Bell relay does not give output when input channel(s) is ON       | 1.Check the Horn/Silen LED If it is red.<br>2.Check ISA18.1 configuration with ISPsim software If the channels are not set to any of relay type.<br>3.If none of them, it is HW failure. Send the unit to Telepro |
| Fault relay is not activated while entering manual config mode            | SW failure.<br>Send the unit Telepro  |



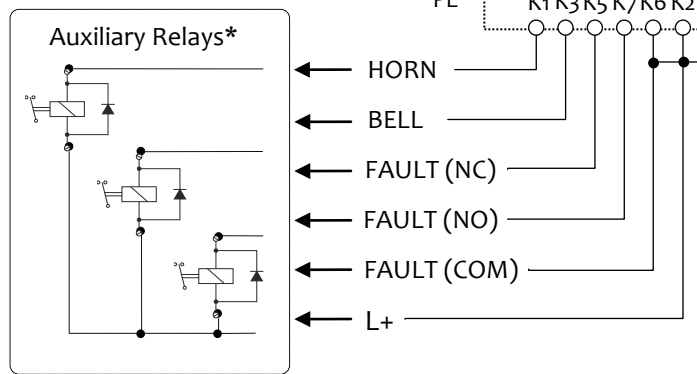
# ISP-36 WIRING SCHEME



\*\*Optional with communication capability devices



GND and SURGE must be seperatly Grounded



\*Strongly Recommended to use

