



ISP-36 Alarm Annunciator

- 36CHANNELS RGB LED TECHNOLOGY
- INTERNAL 1.000 EVENT MEMORY
- COMMUNICATION AND EVENT RECORDING OPTIONS
- RELIABLE PERFORMANCE UNDER ELECTROMAGNETIC INTERFERENCE
- WORKING WITH DIFFERENT VOLTAGE LEVELS. (24/48 ,110 /220 VDC)
- EASY PROGRAMMING IN ISA18.1 STANDARDS WITH ISPSim™SOFTWARE
- CAPABILITY OF RELAY OUTPUT SELECTION FOR EACH CHANNEL BY USING PUSH BUTTONS ON THE FRONT PANEL
- ISOLATED RS485 PORT AND MODBUS RTU PROTOCOL SUPPORT
- HIGH QUALITY AND LONG LIFE POWER SUPPLY WITH PROTECTION FOR OVER TEMPERATURE, SHORTCIRCUIT, OVERCURRENT/OVERVOLTAGE,

TELEPRO-ISP-36 Alarm Annunciator is a flexible, functional and reliable product used in the protection and control automation systems.

Our product, combining low cost with good quality, compact and unique design, is an unrivaled product with optional communication and optional event recording features.

Each of 36pcs channels is isolated.They are protected by opto-coupler, harmonic suppressors and noise filtering software.Device can be safely used under the environment containing high electromagnetic noise which iscontinuously met.

Horn and bell selection can be done with pushbuttons as well as all the parameters can be setin the ISA18.1 standards via ISPSim™software .

Having event recording features with 1 msec resolution and 1.000 event memory.

Response and release time for the environment with electromagnetic noise are to be programmed between 3-250msec.

RS485 communication port supports Modbus RTU and could be easily integrated to the SCADA systems.

ISP-36could be easily labelled by the aid of dedicated labeling template provided by TELEPRO®.

GENERAL DATA

MODULAR CONSTRUCTION

TELEPRO-IPS36 Alarm Annunciator is an advanced technology product providing compact, flexible programming and labelling options.

It could be easily used in the wide area protection systems, thanks to the parallel working feature.

COMMUNICATION (STANDARD)

The integrated RS485 serial communication port with galvanic isolation protection, supports Modbus RTU protocol and get easily adapted to the SCADA systems.

INTERNAL EVENT RECORDER (OPTIONAL)

It is an ideal device with sequential event recording in 1ms resolution timestamps and software supported reporting features for wide area protection systems. All the event records in the annunciators working in parallel with 1-1920 channels quantity can be instantly monitored from one station via internet connection with IP based.

PS: Integrated event recording system supported with HEIM-48 and HEEP-3000-RTU designed by TELEPRO® are recommended to be used for wide area protection systems requiring high performance.

RGB LED INDICATION

RGB (Red-Green-Yellow-Blue-Purple-turquoise-white), energy saving LED indication, providing ultra bright illumination which could be seen even in the high lighting environments, is supplied as default.

FULL SOFTWARE CONFIGURATION

With the help of ISPSiM™ software (*); relay selection (horn-bell), response and release time as well as ModbusID setting can be programmed.

Necessary all alarms sequences and features issued by ISA (S18.1 standards) can be configured upon request. ISA18.1 Sequence Code is set to Code M (Manuel RESET) as standard.

In addition, horn-bell selection of all channels can be safely (and independently from software) set with the push buttons on the front panels without opening panel doors. With the advantages resulted from unique design, needs for dip switches are eliminated.

(*PS: ISPSiM™ software can be downloaded from Telepro website.

INPUTS

All inputs are isolated with opto-coupler, protected with varistor, having common return terminal and filtered. Fulfill EU Electromagnetic Compatibility (EMC) and Low voltage directive (LVD). False alarm possibility is completely eliminated. Maximum input current is 5mA, input voltage can be ordered as 24/48V and 110/220V DC upon request.

RELAY OUTPUTS

TELEPRO-ISP36 provides 2pcs of NO FormA type dry contact relay outputs by default. Outputs are set to HORN or BELL alternatives. All channels can be set to one of these alternatives with software or push buttons on the front panel. Additionally it provides FAULT relay having FormC type NC/NO with common terminal so as to indicate internal system faults.

PROGRAMMABLE RESPONSE AND RELEASE TIME

There are “software programmable” response – release time which provide flexible and safe performance for protection against induced magnetic fields resulted from maneuvers i.e CB

opening/closing especially. With the help of ISPSiM™ software; Response and release time are independently set between 3msec and 250msec. Response time is set to 5msec, release time is set to 20msec by default.

HIGH QUALITY POWER SUPPLY

TELEPRO-ISP36, can be supplied with 4 different voltage level in order to meet the different alternatives used in the distribution system automation. It can be freely connected to the voltage levels of 24/48V and 110/220V DC. Power supply with the design of protection against shortcircuit, overcurrent/overvoltage and over temperature, guarantees long life.

DISPLAY AND LABELING

Having front panel design which membrane featured, providing high quality appearance. Easily changed, printed out labelling system with the front label size of 51,5x11 mm, is having an user friendly design. Window for each channel can be named with label template supplied by TELEPRO®. Whenever requested, labels can be easily changed.

CASE AND MOUNTING

TELEPRO-ISP36, is provided in case configuration, with panel type and in UL94Vo_Self-extinguish standard. Mechanical protection of our standard case is of IP51. It could also be manufactured for IP54 waterproof upon request. Having Standard dimensions of (288x144x82,5 mm) and weight of 1200gr. With user friendly screwed mounting system, it can be fast and safely mounted / dismantled.

EASY TO USE

36 pcs of dry contacts from the field are to be connected to inputs of ISP36.

Each channel can be set to HORN or BELL relay according to operator choice. These settings provide difference in LED indication too.

Wiring connection and other details are provided in the Installation Manual supplied with the device.

CERTIFICATES & APPROVALS

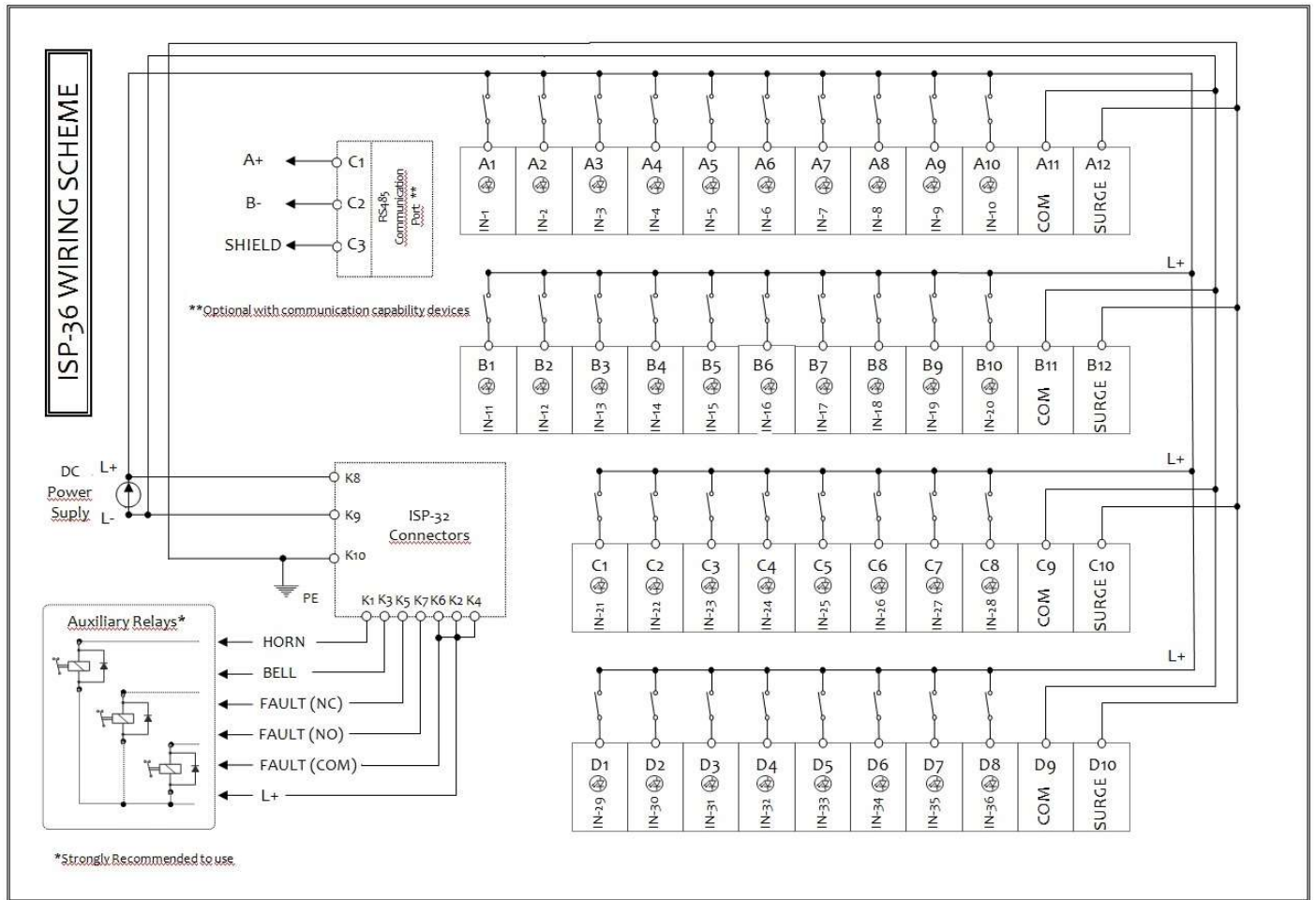
EMC Uyumluluğu :EN 55014-1 (+A1/+A2 Emission)
:EN 61000-3-2 (Limits for harmonic currents emissions)
:EN 61000-3-3 (Limitation of voltage fluctuations and flicker)
:EN 55014-2 (Immunity)
:EN 61000-4-2 (Electrostatic discharge immunity test)
:EN 61000-4-3 (+A1/+A2 Radiated RF electromagnetic field immunity test)
:EN 61000-4-4 (Electrical Fast transient/burst immunity test.)
:EN 61000-4-5 (Surge Immunity test)
:EN 61000-4-6 (Immunity to RF conducted disturbances.)
:EN 61000-4-11 (Voltage dips, short interruptions and voltage variations immunity tests.)

LVD Uyumluluğu :EN 61010-1 :2010(3. Edition)

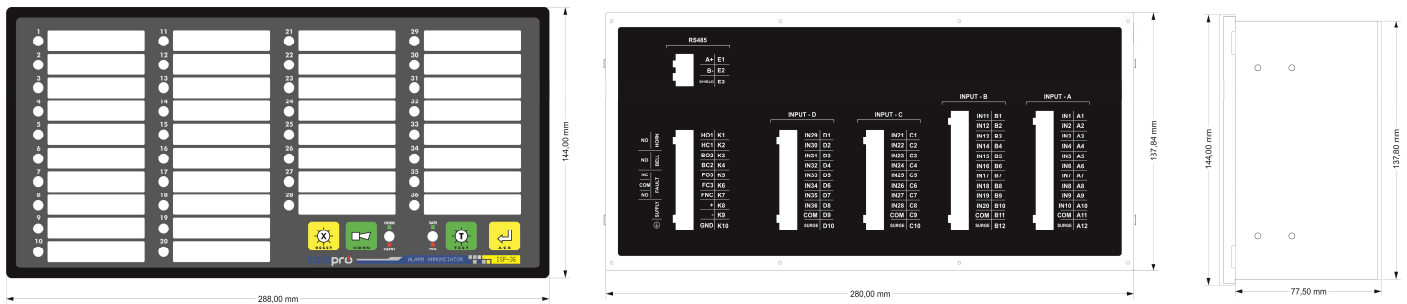
TECHNICAL SPECIFICATIONS

* indicated features are optional.

ISP-36	ISP-36	
Supply		
Supply Voltage	24/48Vdc	110/220Vdc
Supply Voltage range	18-60Vdc	88-242Vdc
Supply power	10w	
Inputs		
Qty of Inputs	36digital inputs	
Type of Inputs	Optical Isolated, Varistor Protected, Common return terminal,transient filtered	
Input Current(per channel)	Max. 5 mA	Max. 5 mA
Input impedance (min)	15kΩ	75 kΩ
Input threshold voltage	12V ± %20	65V ± %20
Transient Voltage	Common Mode: 1kV – Serial Mode: 2kV	
* Response time	*Programmable 3-250ms Default :5 ms	
* Release time	* Programmable 3-250ms Default :20 ms	
Connection type	Screwed, pluggable type terminals	
Wire size	12 AWG (2.5 mm)	
Outputs		
Contact Outputs	48Vdc-1A / 250Vdc-0.2A	
Horn Relay	1-Form-A drycontact relay (SPST) (NO)	
Bell Relay	1-Form-A drycontact relay(SPST) (NO)	
Fault Relay	1-Form-C drycontact relay(SPDT) (NO/NC)	
Communication		
* Communication Port	2 wires, RS485	
* Communication Protocol	Modbus RTU (19200,8n1)	
Event Recorder		
* Event Recorder	Yes	
* ISP RTU Integration	Yes	
User Interface		
PushButton	Test – Horn – Ack – Reset	
Front Panel	Dual Layer, Embossed, Multi Color Membrane, With Sticker Slots	
Window dimensions(WxL)	51,5×11 mm	
Indication	RGB LED (Red-Green-Yellow-Blue-Purple-turquoise-white)	
Audible indication	23mm Buzzer 75 dbA	
* Horn – BellConfiguration	With front panel buttons – ISPsim Software	
Case		
Case type	Panel type	
Case Standard	UL94Vo Self-extinguish	
Dimensions(WxLxD)	288x144x82,5 mm	
PanelMounting	Plug-in with panel mounting sleeve	
Protection Class	IP51(*IP54)	
Weight	1200gr	
Environmental Features		
Operating temperature	-20 C – +55 C	
Storage temperature	-25 C – +80 C	
Humidity	0-95% RH	
Package		
Package type	Carton Box	
Package dimensions(WxLxD)	303x150x105 mm	
Weight	1315gr	



Outline Dimensions



ISP Alarm Annunciators
 tested and type test certified according to
 the IEC61010-1/EN 61010-1 Standards



ISO 9001-2000 Cert. No:689866



All products under 2year warranty
 againts manufacturing faults.